

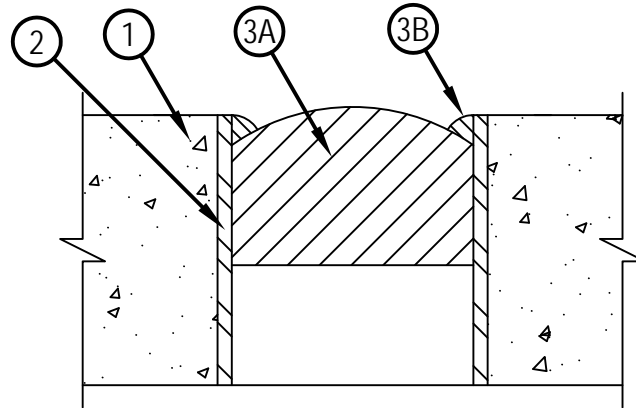


Classified by
Underwriters Laboratories, Inc.
to UL 1479 and CAN/ULC-S115

System No. C-AJ-0097

CAJ 0097

| ANSI/UL1479 (ASTM E814) | CAN/ULC S115 |
|---|---|
| F Rating — 2 Hr | F Rating — 2 Hr |
| T Ratings — 0 and 1/2 Hr (See Item 2) | FT Ratings — 0 and 1/2 Hr (See Item 2) |
| L Rating At Ambient - Less Than 1 CFM/sq ft | FH Rating — 2 Hr |
| L Rating At 400 F - Less Than 1 CFM/sq ft | FTH Ratings — 0 and 1/2 Hr (See Item 2) |
| | L Rating At Ambient - Less Than 1 CFM/sq ft |
| | L Rating At 400 F - Less Than 1 CFM/sq ft |



- Floor or Wall Assembly — Min 4-1/2 in. (114 mm) thick reinforced lightweight or normal weight (100-150 pcf or 1600-2400 kg/m³) concrete. Wall may also be constructed of any UL Classified Concrete Blocks*. Diam of opening is nom 1-1/2, 2, 3 or 4 in. (38, 51, 76 or 102 mm).
See Concrete Blocks (CAZT) category in the Fire Resistance Directory for names of manufacturers.
- Metallic Sleeve — Nom 1-1/2, 2, 3 or 4 in. (38, 51, 76 or 102 mm) diam Schedule 5 (or heavier) steel pipe cast or grouted into floor or wall flush with floor or wall surfaces. Sleeve may extend max 2 in. (51 mm) above top surface of floor or both surfaces of wall. When sleeve extends above top surface of floor or either surface of wall, the T, FT and FTH Ratings are 0 Hr. Sleeve is optional when CFS-PL Firestop Plug is used.
- Firestop System — The firestop system shall consist of the following:
 - Fill, Void or Cavity Materials* - Plug — Nom 2, 2.5 or 4 in. (51, 63 or 102 mm) plug sized for the steel sleeve or opening per Table below friction-fitted within the sleeve or opening with edges recessed 1/2 in. (13 mm) from the top surface of the floor or from both surfaces of the wall.
HILTI CONSTRUCTION CHEMICALS, DIV OF HILTI INC — CP 658T Firestop Plug 2.5 or 4 in. or CFS-PL Firestop Plug 2 or 4 in.

| Sleeve/Opening Diam in. (mm) | Nom Plug Size, in. (mm) | |
|---------------------------------|-------------------------|------------|
| | CP 658T | CFS-PL |
| 1-1/2 (38) | 2.5 (63) ** | 2 (51) ** |
| 2 (51) | 2.5 (63) ** | 2 (51) |
| 3 (76) | 4 (102) ** | 4 (102) ** |
| 4 (102) | 4 (102) | 4 (102) |

** Cut wedge from plug to fit sleeve/opening size. See Hilti Installation Instructions for specific size of wedge cuts required.

- Fill, Void or Cavity Materials* - Putty — Nom 1/2 in. (13 mm) diam bead of putty applied around periphery of opening at plug/sleeve interface.
HILTI CONSTRUCTION CHEMICALS, DIV OF HILTI INC — CP 618 Firestop Putty Stick

*Bearing the UL Classification Mark



Hilti Firestop Systems

Reproduced by HILTI, Inc. Courtesy of
Underwriters Laboratories, Inc.
December 29, 2011